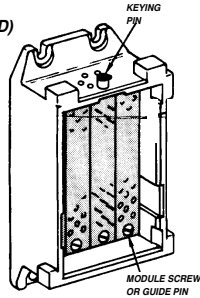


CONNECTOR KEYING (IF USE OF KEYING PIN IS DESIRED)

The keying pin in the panel mounted half (fig #7) allows the panel mounted half to mate only with a cable half in which the hole in the keying socket (fig # 1) is in the corresponding position. You can choose 6 different keying positions by changing the positions of the keying pin and keying socket. To change the position of the keying pin:



CHASSIS MOUNT
RAMX025

FIG # 7

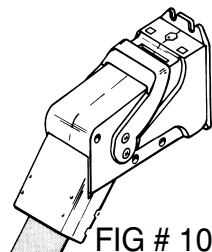
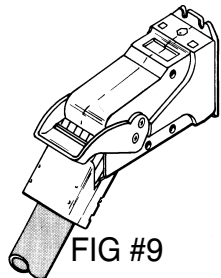
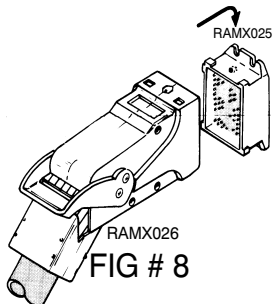
- 1) Remove the keying pin nut.
- 2) Place the keying pin in the desired hole.
- 3) Replace the nut.

To change the position of the keying socket when the cable half is assembled:

- 1) Remove the handle screws, the handle and the body screws.
- 2) Separate the connector shells until you can rotate the keying socket.
- 3) Replace the body screws, align the shell halves, tighten body screws and apply "Locktite". Replace handle and screws.

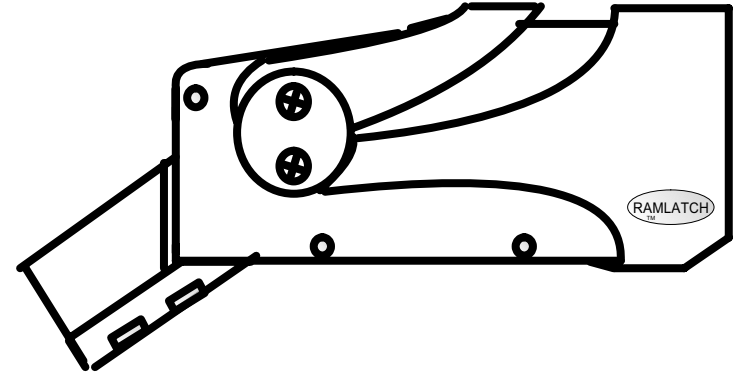
CONNECTOR ENGAGEMENT

- 1) With the handle back and the exposed portion of the cable support showing, slide the cable half over the panel mounted half.
- 2) Lower the cable half onto the panel half as shown in fig # 8 thru 9.
- 3) Push the handle forward until it rests against the shell (see fig # 10).



RAMTECH
INDUSTRIES INC.™

800-81RAMTECH
800-817-2683



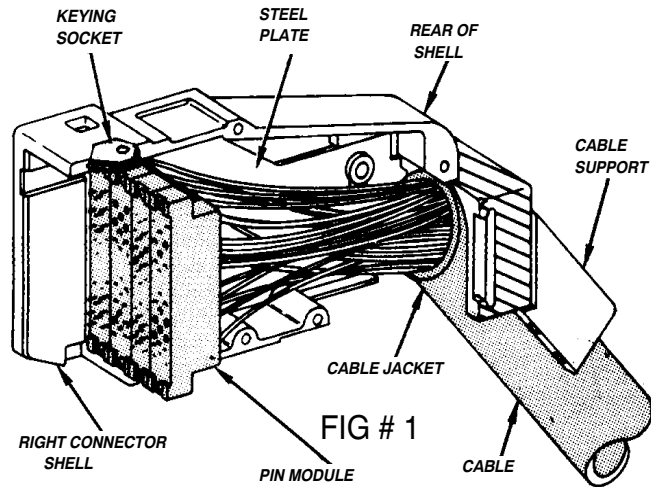
INTRODUCTION

The RAMLATCH™ consists of a panel mounted half, RAMX025 and a cable mounted half RAMX026. Each connector half consists of four modules. Each module contains pin or socket contacts. This connector is made of durable "ABS" plastic and resists most solvents and cleaners. This connector is intended for line level and phantom power (48volts or less) only and is not intended for use with higher voltage applications.

CONTACT SELECTION

AMP™ Size 16 Type II, Type III and Type III plus contacts may be used in these modules. Use pin contacts in the male module # 201302-3 and socket contacts in the female module # 202135-4. Contact RAMTECH IND. INC. @800-817-2683 for information about crimping tools. Sub miniature COAXICON* contacts may be used in these modules as well. Guide pins and sockets should be used with these.

* Trademark of AMP INC.



CABLE PREPARATION

Slide "Kellems Grip" and 2" heat shrink over cable. Strip the cable 4-1/2". Individually heat shrink each ground drain wire and then heat shrink break out at the point where jacket ends (see fig #2). Crimp contacts on all wires and insert contacts into pin modules using pin out pattern in fig #3.

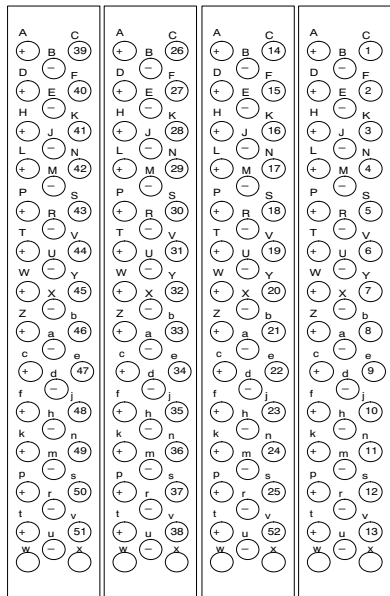
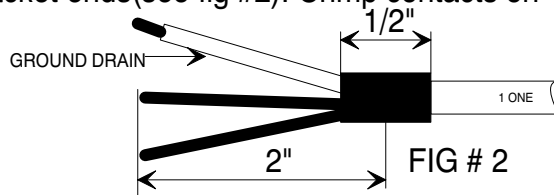


FIG # 3

ASSEMBLY OF CABLE HALF

- 1) Place the cable support on the right connector shell (fig # 1). The tongue in the shell frame fits into the groove in the cable support.
- 2) With crimped contacts in the modules, place the modules in the right connector shell. Flex the wires so that they follow the line of the cable support and the connector shell.

FACE OF CONNECTOR (CONNECTING SIDE)
USING AMP™ PIN/SOCKET BLOCK # 201302-3
AND MALE PINS AMP™ # 66107-4.

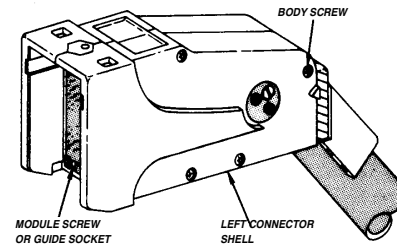


FIG # 4

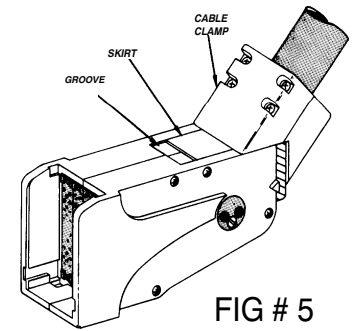


FIG # 5

- 3) Place the cable jacket in the cable support (see fig # 1).
- 4) Insert the keying socket so that its hole will mate with the keying pin.
- 5) Make sure the steel plates on both shells are as far to the rear of the shells as possible (see fig # 1). Place the left connector shell on top of the right connector shell (see fig # 4).
- 6) Insert the body screws but do not tighten them completely.
- 7) Align the module with each other. Install and tighten the module screws (or guide pins) and lock washers.
- 8) File or grind out skirted cable clamp rear 2 holes to accept kellems grip eyelets. Install the cable clamp. The skirt of the cable clamp must fit in the groove on the bottom of the connector as shown in fig # 5.
- 9) Install and tighten the cable clamp screws.
- 10) Align the connector shells by seating the open end on a flat surface. Tighten the body screws and apply "Locktite" to exposed threads.
- 11) Place the handle over the connector so that the handle screw holes line up with the holes in the cam hub (see fig # 6).
- 12) Spread handle slightly and allow it to snap into place over the screw holes.
- 13) Insert the handle screws and tighten them.

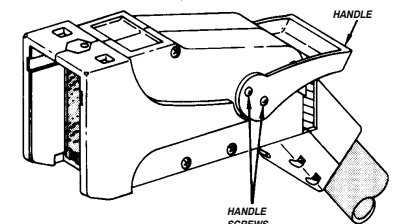


FIG # 6